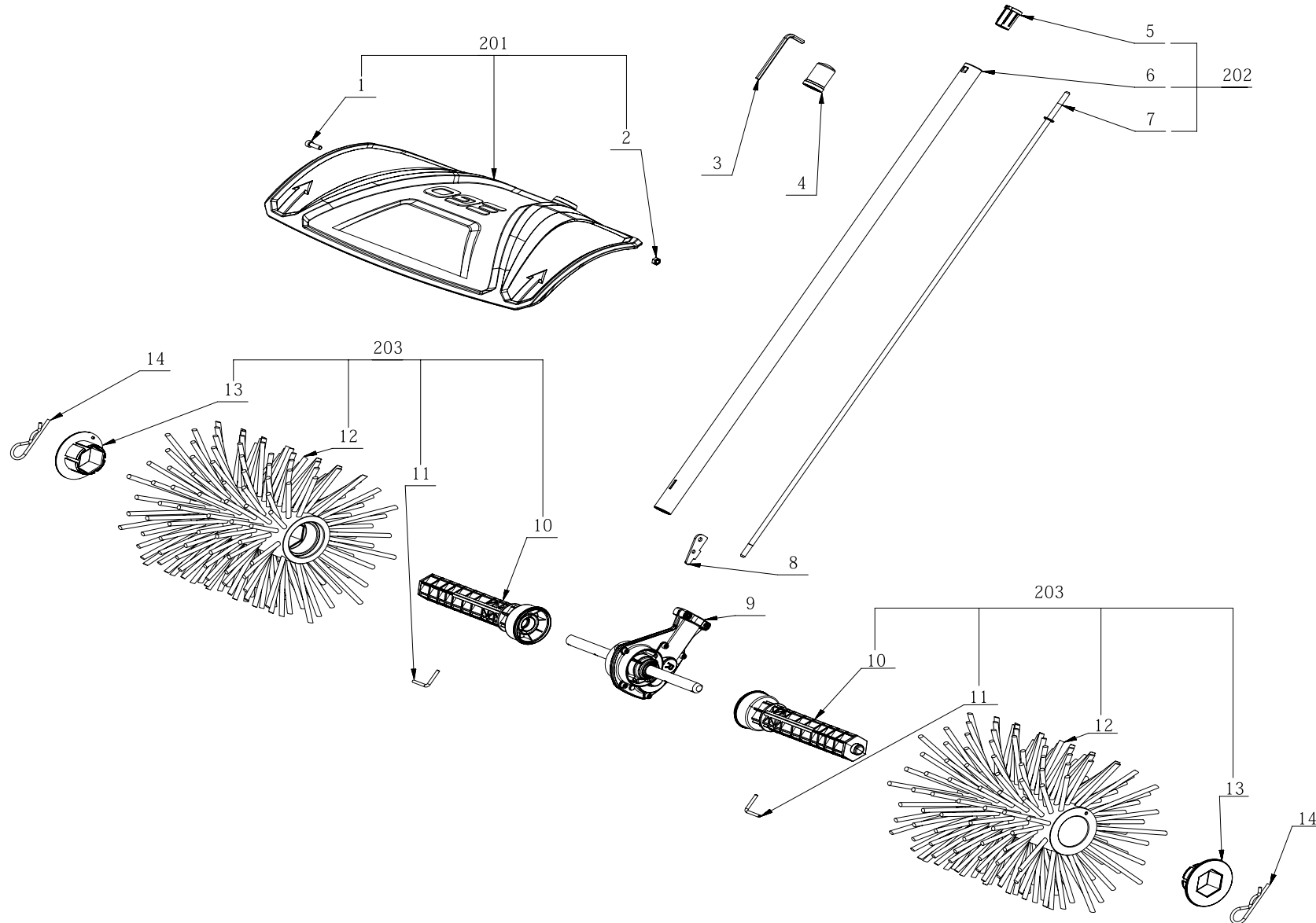




Product Description: Bristle Brush Attachment
Model Number: BBA2100
Body Number: 0640005001_S
Version: A
Issue Date: 2019/03/29





Repair Parts_Bristle Brush Attachment_BBA2100

Index No.	Art. No.	Description	QTY in machine	Weight (g)	Size LxWxH (mm)	MPQ	Repairable or Not?	Standard Repair Time (min.)
1	5620334004	Hexagon Socket Screw	1	7	M6x20	10	Y	2
2	5630015001	Prevailing Torque Hexagon Nut	1	2	M6	10	Y	3
3	5680028001	Hexagon Wrench	1	7	85x33x6	1	Y	1
4	3128734001	Sleeve	1	4.6	φ29x42	1	Y	1
5	3128556001	Guiding Block	1	4.3	18.7x22x33	1	Y	2
6	2825759002	Tube Assembly	1	320.6	φ25x820	1	Y	15
7	2824792002	Shaft Assembly	1	255.8	φ14.5x857	1	Y	5
8	3706608001	Connecting Piece	1	7.2	21.6x50x2.5	1	Y	6
9	2826284001	Gear Case ASSY	1	1245.8	154x113.8x270	1	Y	10
10	3130375001	Spindle Bush	2	175	216x32x32	1	Y	10
11	5670533001	Lock Pin	2	4.5	31.5x31.5x4	1	Y	4
12	2826721001	Brush Assembly	2	1026	φ250x280	1	Y	3
13	3130373001	Cover	2	20	Φ79x28	1	Y	3
14	5670479001	Spring Pin	2	15.4	φ4x64	1	Y	1
201	2826717001	Guard Assembly	1	610	566x226x272	1	Y	4
202	2825763002	Connecting Tube ASSY	1	580.1	φ25x857	1	Y	5
203	2826816001	Brush Assembly	2	1223	φ250x280	1	N	/