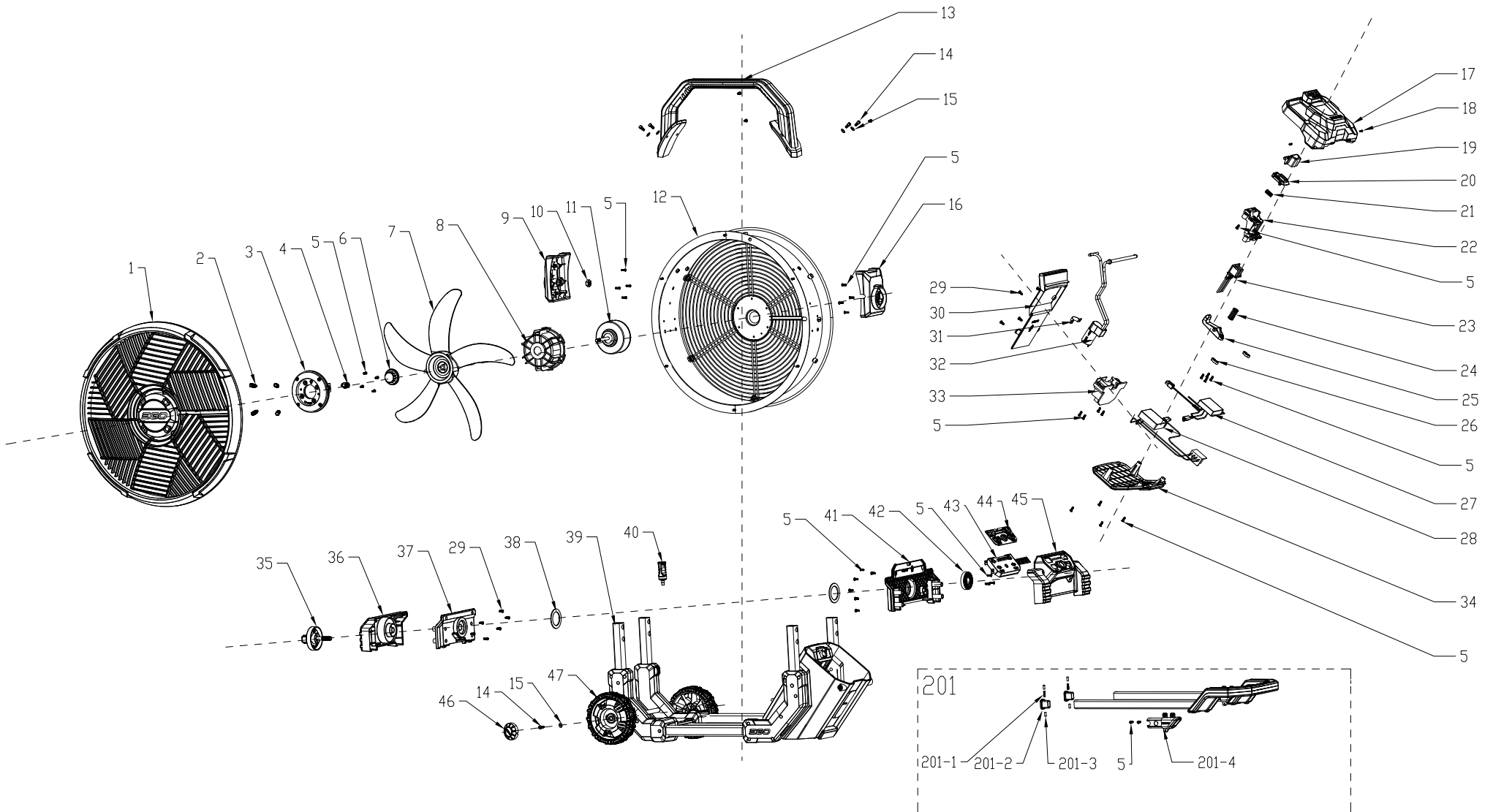




Product Description: Misting Fan  
Model Number: FN1800  
Body Number: FC20022048  
Version: A  
Issue Date: 2022/01/29





Repair Parts\_Misting fan\_FN1800E

Index No.	Art. No.	Description	QTY in machine	Weight (g)	Size LxWxH (mm)	MPQ	Repairable or Not?	Standard Repair
1	3133841001	Front Frame Mesh	1	1115	525x525x46.5	1	Y	5
2	2828912001	Misting Nozzle	4	10	9.5x9.5x22	50	Y	1
3	2828911001	Waterway set	1	122	115x115x34	2	Y	5
4	4931130001	Tube Connector	1	10	14x14x20	80	Y	5
5	5610903001	ST4 Torx type tapping screw	41	5	4x4x14	100	Y	1
6	3403403001	Fan Locking Knob	1	143	45x45x19.2	10	Y	3
7	3300061001	Fan Blade	1	14	450x450x35	1	Y	3
8	3133524001	Motor Holder	1	91	122x122x55.5	6	Y	8
9	3133528001	Left Hinge Support	1	83	131x100x45	2	Y	10
10	5630473001	M10 Nut	1	10	16.8x16.8x7.5	30	Y	10
11	2730374001	Fan motor	1	970	92x92x124	1	Y	15
12	2828933001	Fan housing set	1	2400	517x517x139	1	Y	20
13	2828940001	Carry Handle	1	288	442x221x74	1	Y	2
14	5640489001	Hexagon socket head cap screw	6	6	5x5x12	50	Y	1
15	5650943001	Washer	6	2	12x5x0.8	100	Y	1
16	3133527001	Right Hinge Support	1	83	131x100x45	2	Y	10
17	2828913001	Battery Compartment Cover	1	185	211x183x89	1	Y	3
18	5610902001	ST3 Torx type tapping screw	2	1	3x3x10	200	Y	1
19	3133532001	Battery release button	1	11	44.8x33x37	50	Y	10
20	3133535001	Battery locking block	1	7	49x44x17.5	50	Y	10
21	3667800001	20mm Compression spring	1	2	8.4x8.4x20	100	Y	10
22	3133531001	Battery Connector Support	1	25	81x70x70	10	Y	10
23	3403401001	Battery Connector	1	20	40x29.5x220	20	Y	20
24	3667801001	30mm Compression spring	1	15	15x15x32	100	Y	10
25	3133557001	Battery Carrier Rod	1	7	79x38.5x28.5	10	Y	10
26	3133556001	Locking Plate	2	2	23x8x7	100	Y	10
27	4892570001	Motor PCBA	1	100	55x55x19	1	Y	20
28	2831268001	BMS PCBA	1	90	150x50x120	1	Y	20
29	5610904001	ST4 Torx type tapping screw	10	6	4x4x10	200	Y	1
30	3133534001	Battery Box Side Cover	1	103	246x123x41	2	Y	10
31	2828945001	Motor Locking Hoop	1	5	56x10x14.5	10	Y	8
32	2828935001	Pump Motor ASSY	1	150	42x30x520	5	Y	20
33	3133523001	Pump Motor Support	1	41	120x70x41	10	Y	15
34	3133533001	Battery Bottom Cover	1	108	177x174x63	2	Y	3
35	3133574001	Hinge Locking Knob	1	72	67x67x83	4	Y	1
36	3133526001	Left Hinge 1	1	137	186x94x53	2	Y	5
37	3133525001	Left Hinge 2	1	90	186x94x52	2	Y	5
38	5690566001	Rubber damping ring	2	8	55x55x2	50	Y	5
39	2828938001	Battery Box and Frame ASSY	1	3500	785x256x331	1	Y	30
40	2828934001	Filter ASSY	1	15	22x22x65	20	Y	1
41	3133575001	Control Panel Back Cover	1	124.5	258x128x58	2	Y	10
42	3133555001	Fixing Plate	1	25	50x50x9.5	20	Y	10
43	2828937001	Control PCBA ASSY	1	60	146x59x19	2	Y	20
44	2828947001	Soft Mat	1	26	125x53x13	20	Y	10
45	2828936001	Control Panel Front Cover	1	159	258x130x54	2	Y	10
46	3133522001	Wheel Cover	2	7	48x48x21	50	Y	5
47	3403402001	Wheel	2	265	148x148x35	10	Y	5
201	2828939001	Telescopic Handle ASSY	1	550	256x187x565	1	Y	15
201-1	3667818001	15mm Compression spring	2	1	4.5x4.5x17.5	100	Y	15
201-2	3133521001	Tube Stopper	2	5	29x20x22	50	Y	15
201-3	5670673001	Steel Ball Pin	4	5	4.3x4.3x11.5	100	Y	15
201-4	3580420001	Sliding Bush	2	20	104x54x27	20	Y	15