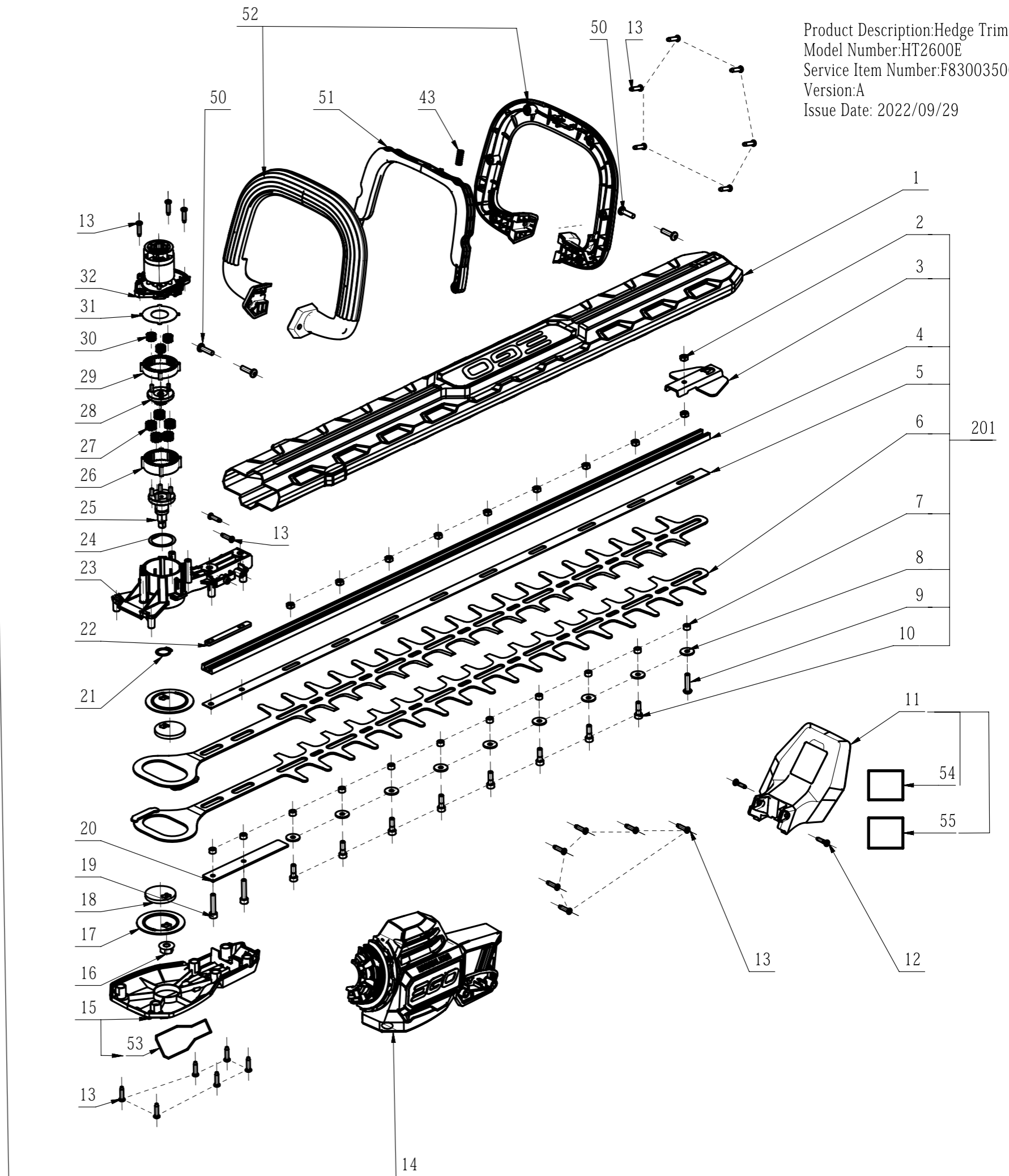
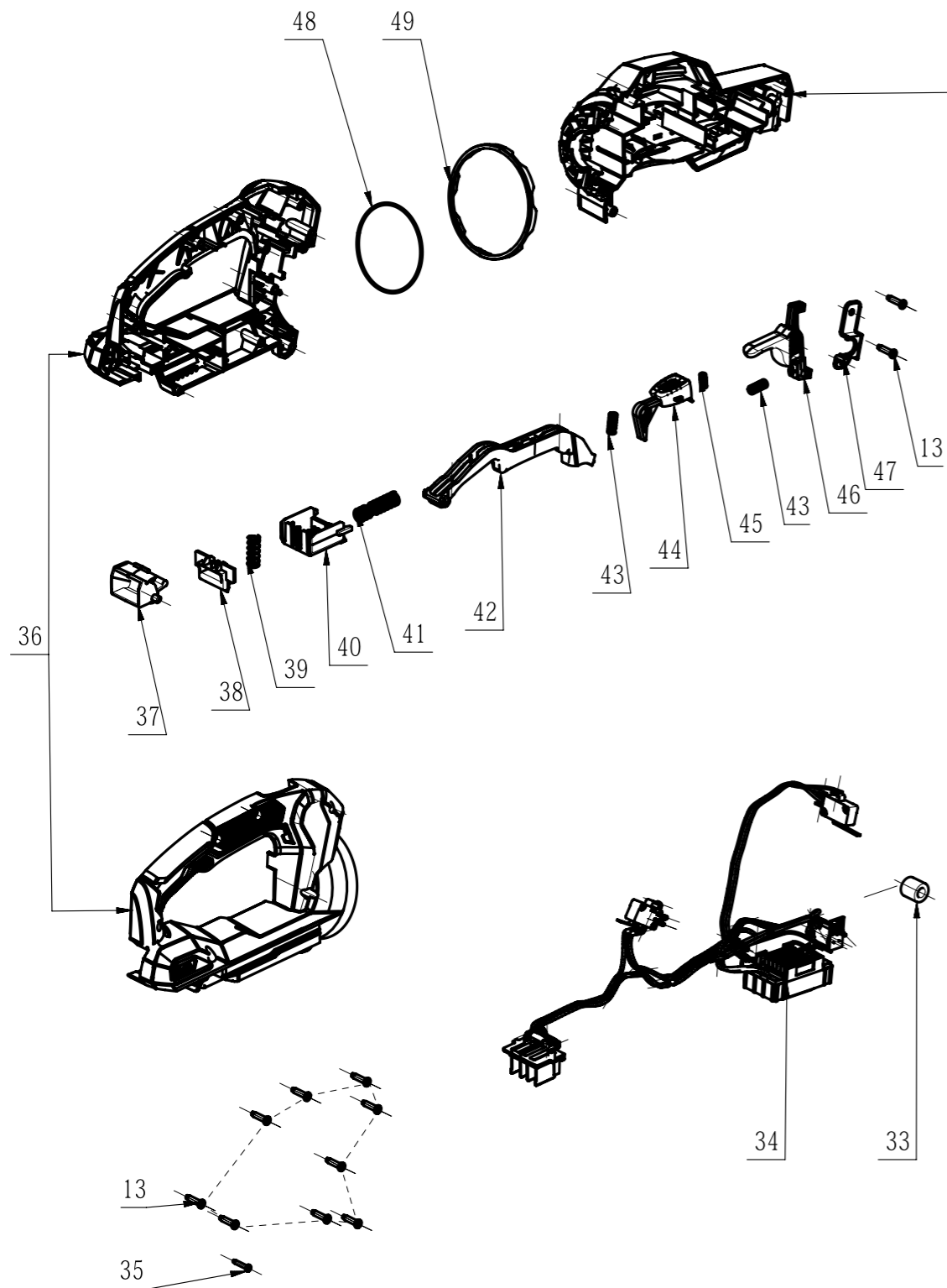




Product Description:Hedge Trimmer
Model Number:HT2600E
Service Item Number:F830035002S01
Version:A
Issue Date: 2022/09/29





Repair Parts_Hedge Trimmer Tools_4230(HT2600E)

Index No.	Art. No.	Description	QTY in machine	Weight (g)	Size LxWxH (mm)	MPQ	Repairable or Not?	Standard Repair Time (min.)
1	3133667001	Sheath	1	240.5	41x779x104	1	Y	1
2	5630007001	Prevailing Torque Hexagon Nut	10	1.35	8x10x15	10	Y	10
3	3706328001	Tip Protector	1	57	10x73x75	1	Y	7
4	3555966001	Clamp Support	1	180.82	809x18x8	1	Y	15
5	3708612001	Hold Down Strip	1	84.94	2x810x16	1	Y	15
6	2829011001	Blade Set	2	370.9	81x905x4	1	Y	15
7	5650671001	Bush	11	0.9	5x8x8	1	Y	7
8	5650487001	Plain Washer	9	2.05	2x16x17	10	Y	8
9	5620544001	Hexagon Socket Screw	1	8.12	5x5x35	10	Y	10
10	5620019004	Hexagon Socket Screw	8	3.7	5x5x16	10	Y	10
11	3128993002	Guard	1	26.5	130x113x44	1	Y	1
12	5610264004	Hexagon Lobular Screw	2	1.69	8x8x19	1	Y	1
13	5610294001	Tapping Screw	34	1.96	7x7x19	10	Y	2
14	3900653001	Front Housing Assembly	1	323.27	234x134x104	1	Y	20
15	3133696002	Mounting Cover	1	63	24x201x105	1	Y	2
16	5630325001	Flange Nut	1	5.85	18x18x8	10	Y	5
17	5650951001	Gasket	2	28.1	3x56x57	10	Y	10
18	3708618001	Eccentric Block	2	28.8	5x36x36	10	Y	10
19	5620216005	Hexagon Socket Screw	2	5.8	5x5x25	10	Y	10
20	3708686001	Support Plate	1	30.5	2x124x19	10	Y	3
21	5660018001	Circlips For Shaft	1	0.3	17x20x1	10	Y	20
22	3134158001	Knighthead	1	1.64	70x8x4	10	Y	10
23	2790701001	Gear Case Assembly	1	183	59x189x70	1	Y	20
24	5650555001	Washer	1	1.02	1x32x32	10	Y	20
25	2824926002	Carrier	1	60.5	31x31x50	1	Y	20
26	3520963001	Ring Gear	1	38	46x46x13	1	Y	20
27	3520961001	Planet Gear	5	3.7	13x8x13	1	Y	20
28	2824927001	Sun Gear ASSY	1	26	31x31x21	1	Y	20
29	3520964001	Ring Gear	1	34	46x46x10	1	Y	20
30	3520965001	Planet Gear	3	2.85	11x9x11	1	Y	20
31	5650576001	Washer	1	3.5	47x47x1	10	Y	17
32	2790765001	Motor & Gear Assembly	1	173.67	63x74x69	1	Y	1
33	3680298001	Magnet Ring	1	20	17x16x16	10	Y	15
34	2831346001	4230 Electric Assembly	1	176	348x37x114	1	Y	25
35	5610013004	Tapping Screw	1	1.11	6x6x19	10	Y	1
36	3900652001	Rear Handle Assembly	1	397.17	156x224x92	1	Y	10
37	3127498001	Power Pack Button	1	7.88	29x37x44	1	Y	10
38	3127497001	Power Pack Button	1	4.2	25x12x43	1	Y	10
39	3660013003	Spring1	1	0.56	26x11x10	10	Y	10
40	3131427001	Sliding Block	1	8.4	21x42x43	1	Y	10
41	3660818001	Compression Spring	1	61.5	13x42x12	10	Y	10
42	3133718001	Rear Switch Trigger	1	21.8	57x171x24	1	Y	10
43	3660046001	Spring	3	0.24	17x8x7	10	Y	10
44	3129010001	Lock Button	1	7.85	39x55x24	1	Y	10
45	3660344001	Spring	1	0.15	13x7x6	10	Y	10
46	3133717001	Trigger	1	8.66	70x69x14	1	Y	10
47	3133689001	Cord Anchorage	1	1.3	55x29x13	1	Y	10
48	5690424001	O Ring	1	0.63	70x70x2	10	Y	10
49	3133666001	Latch	1	3.95	90x90x7	1	Y	10
50	5610291003	Tapping Screw	4	2.8	10x10x22	10	Y	1
51	3128269001	Switch Trigger	1	56.5	186x131x13	1	Y	4
52	2824552001	Side Handle	1	224.5	222x68x182	1	Y	2
53	2245839002	Namplate	1	0.1	7.31x6.28x0.175	50	Y	0.1
54	2245893002	Namplate	1	0.05	4x3.6x0.175	50	Y	0.1
55	2245895001	Namplate	1	0.05	1.8x2.4x0.175	50	Y	0.1
201	2829253001	Pruning Blade Set	1	1150	926x82x31	1	Y	15