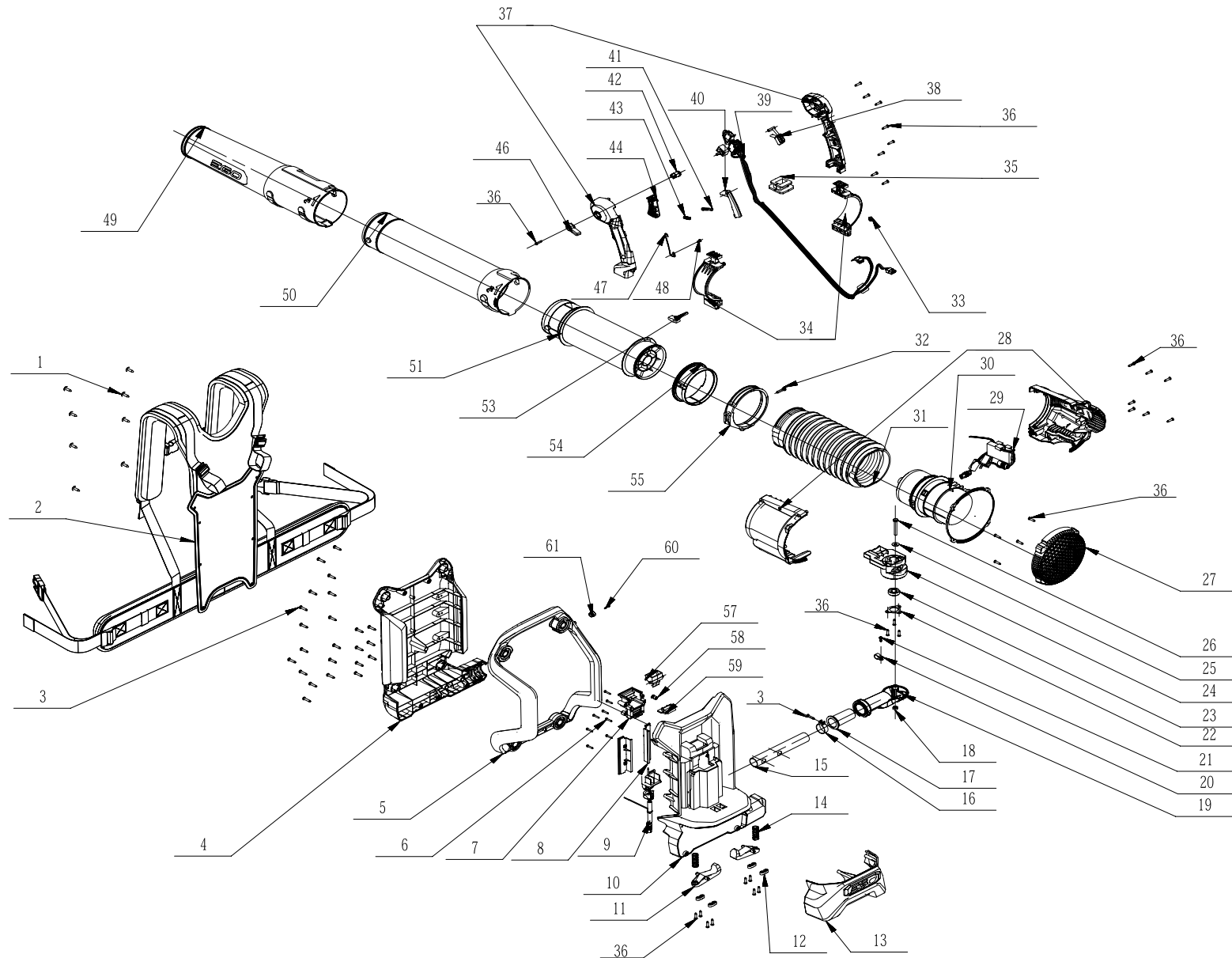




Product Description: Leaf Blower
Model Number: LB6000E
Body Number: 0880011002_S
Version: A
Issue Date: 2016/10/15





Repair Parts_600CFM Backpack Blower_4705(LB6000E A)

Index No.	Art. No.	Description	QTY in machine	Weight (g)	Size LxWxH (mm)	MPQ	Repairable or Not?	Standard Repair
1	5610298001	Tapping Screw	8	2.95	12X12X19	10	Y	1
2	3800121001	Harness	1	762.04	20.094x11.623x2.167	1	Y	2
3	5620157006	Hexagon Socket Screw	24	1.91	8X8X22	10	Y	1
4	3128362001	Rear Housing	1	728.92	400.9x301.2x76.8	1	Y	3
5	3128357001	Frame	1	482.62	395.5x279.6x128.4	1	Y	6
6	5610274001	Self Tapping Screw	8	0.45	7X7X18.5	10	Y	1
7	3128359001	Support	1	1.95	61.4x65.8x42	1	Y	15
8	3128361001	Cover	2	9.98	113.2x25x19.6	1	Y	15
9	2825060001	Joint Assembly	1	62.6	40X30X310	1	Y	15
10	3128358001	Front Housing	1	702.16	400.9x301.2x138	1	Y	20
11	3126773001	Lever	2	16.78	79.9x38.8x29	1	Y	15
12	3122798001	Cord Anchorage	4	0.91	23.2x8.1x7	1	Y	15
13	3322077001	Decorative Cover	1	62.6	210x118.7x86.7	1	Y	15
14	3660306002	Spring	2	3.63	14X14X38	10	Y	15
15	3706049001	Connecting Tube	1	34.47	φ25x164	1	Y	15
16	3705178001	Fixed Ring	1	5	35.7x28.3x10	10	Y	15
17	3128346001	Plastic Sleeve	1	10.89	φ37.2x56.2	1	Y	15
18	5630015001	Prevailing Torque Hexagon Nut	1	2.72	12X12X6	10	Y	1
19	3421815001	Connecting Lever	1	90.72	141.5x59.5x52	1	Y	15
20	3705237001	Hoop	1	5.9	23X13.4X8	1	Y	15
21	5610097002	Thread Forming Screw	1	1.36	8X8X12	10	Y	1
22	3706109001	Bearing Retainer	1	6.8	φ43.5x2	1	Y	15
23	5700048003	Ball Bearing	1	18.6	φ26x8	1	Y	15
24	3128521001	Support	1	56.7	99x72x50.2	1	Y	15
25	5650419002	Plain Washer	1	1.36	φ16x1	10	Y	10
26	5640243001	Hexagon Head Bolt	1	9.98	12X12X50	10	Y	1
27	3128343001	Fan Baffle	1	67.59	φ161x37	1	Y	2
28	2824817001	L R Housing Set	1	263.02	168.4x135x155	1	Y	10
29	2830165001	Electric Assembly	1	91.63	120X150X50	1	Y	5
30	2824495002	Ducted Set	1	542.5	φ224x148	1	Y	8
31	3128519001	Bellows Seal	1	291.66	φ127.8x263	1	Y	5
32	5610224002	Hexagon Lobuar Screw	1	3.18	9.5X9.5X27	10	Y	1
33	5630009002	Hexagon Nut	1	2.27	12X12X6	10	Y	1
34	2824818001	Handle Support	1	3.31	164.5x43.4x107	1	Y	15
35	5650537001	Rubber Gasket	1	14.97	42x45x20	1	Y	5
36	5610294001	Tapping Screw	31	0.91	7X7X18	10	Y	1
37	2824819001	Handle ASSY	1	161.93	204x130.5x48	1	Y	15
38	3128385001	Boost Button	1	4.99	47x20.4x36.8	1	Y	3
39	2824718002	Switch Assembly	1	105.69	120X150X50	1	Y	10
40	3127212001	Lock Button	1	6.35	77x11x37	1	Y	3
41	3660399002	Spring	1	0.18	7.2X7.2X29	10	Y	3
42	3128351001	Linkage Block	1	2.72	20.5x14x15.4	1	Y	4
43	3660088003	Knob-reset Spring	1	0.32	φ6x18	10	Y	3
44	3128387001	Trigger	1	10.43	65.5x27.2x26.6	1	Y	3
46	3128386001	Depth Adjusting Knob	1	4.08	40.5x18.4x15.8	1	Y	1
47	3650142001	Anti-Static Bar	1	5.9	68x1.5x17	1	Y	3
48	5610021004	Tapping Screw	1	0.91	7X7X10	10	Y	1
49	3128520001	Front Tube	1	245.39	φ102.5x435	1	Y	1
50	3128342001	Tube	1	230.88	φ112.5x430	1	Y	2
51	3128345001	Connecting Tube	1	230.42	φ109x297	1	Y	5
53	5640239001	Wing Bolt	1	12.25	48x28x12	10	Y	1
54	3128528001	Holding Ring	1	38.1	φ111x36.5	1	Y	3
55	3128545001	Lock Ring	1	35.83	φ124x20.2	10	Y	1
57	3127498001	Power Pack Button	1	5.9	36.8x43x27.5	1	Y	20
58	3660013003	Spring1	1	10	φ9.8x25.6	10	Y	20
59	3127497001	Power Pack Button	1	9.57	36x43x26	1	Y	20
60	5620410003	Screw With Washer	1	0.45	6X6X15.3	10	Y	1
61	3128883001	Sleeve	1	0.91	14x14x10.2	10	Y	2