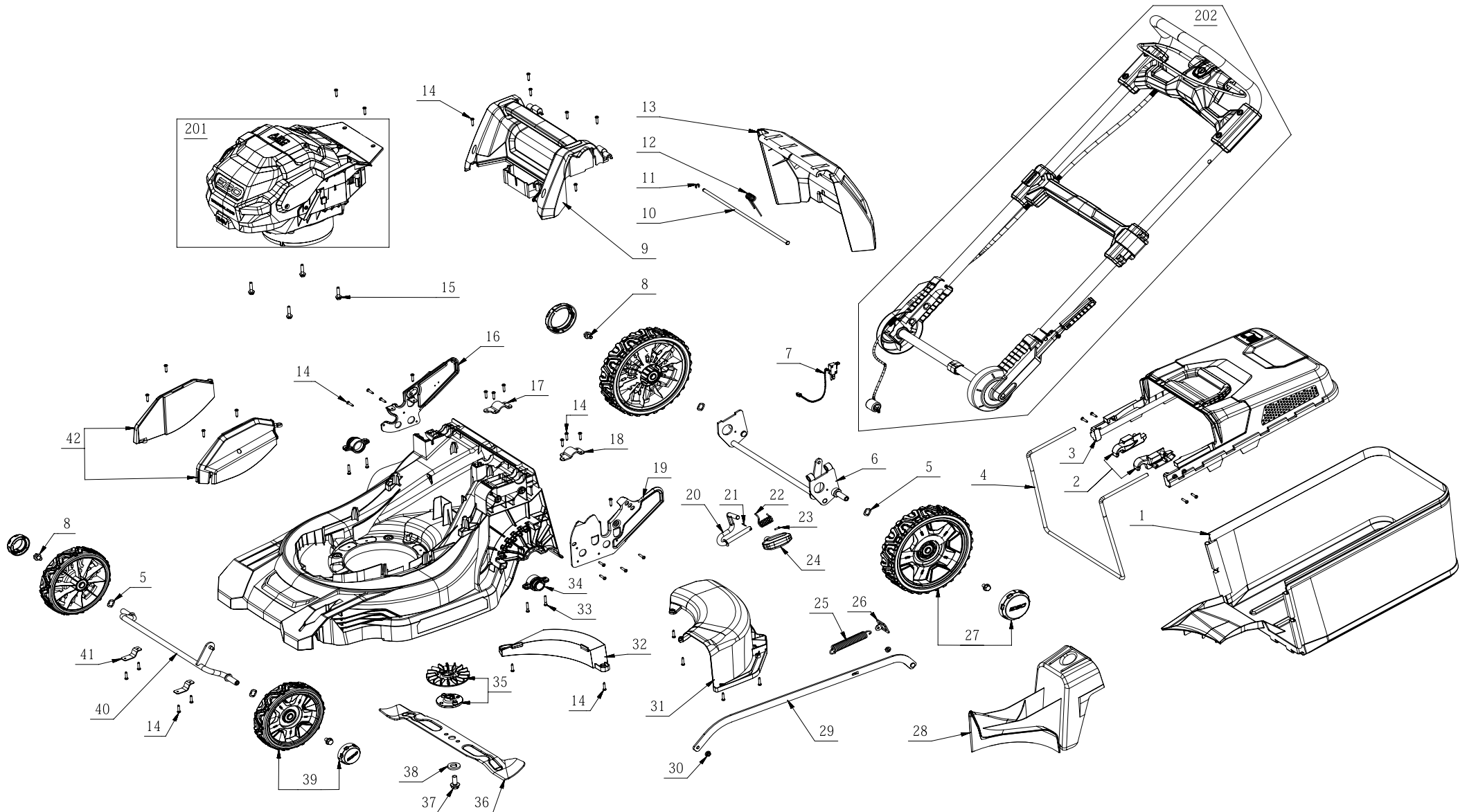




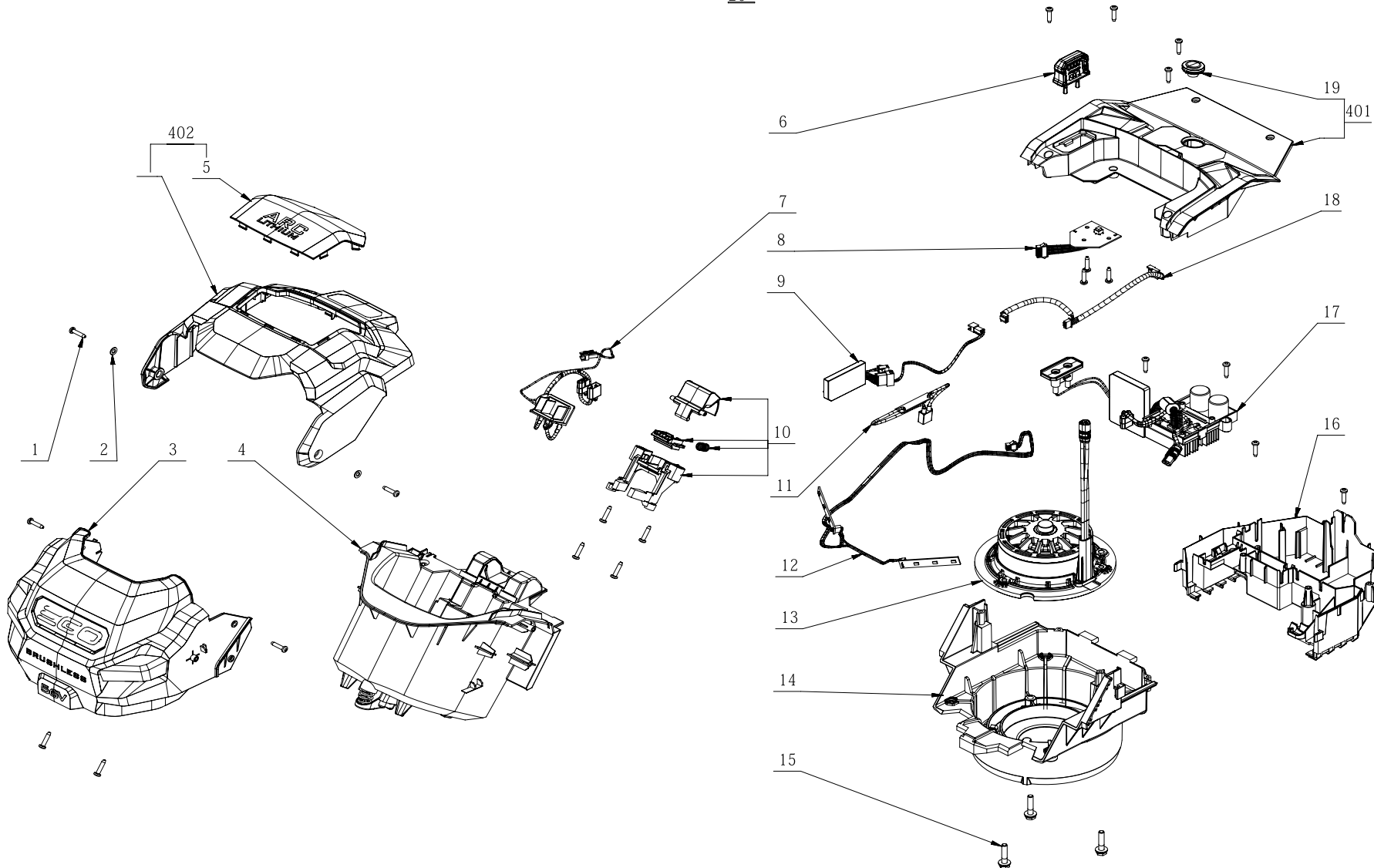
Product Description:Lawn Mower  
Model Number:LM1900E  
Body Number:1000024001\_S  
Version: A  
Issue Date: 2019/07/22





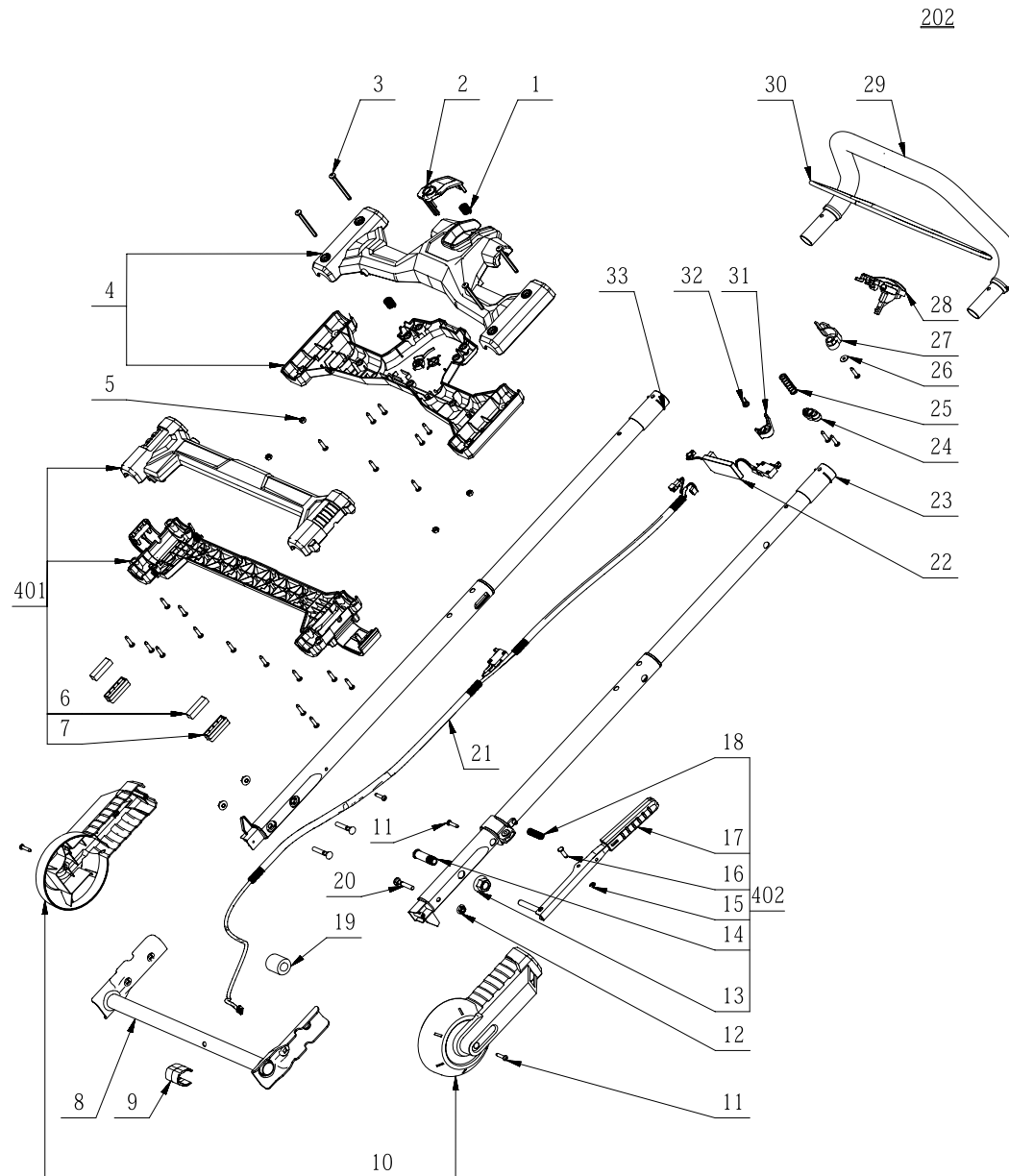
Product Description:Lawn Mower  
Model Number:LM1900E  
Body Number:1000024001\_S  
Version: A  
Issue Date: 2019/07/22

201





Product Description:Lawn Mower  
Model Number:LM1900E  
Body Number:1000024001\_S  
Version: A  
Issue Date: 2019/07/22





Repair Parts\_Lawn Mower\_4909(LM1900E)

Index No.	Art. No.	Description	QTY in machine	Weight (g)	Size LxWxH (mm)	MPQ	Repairable or Not?	Standard Repair Time (min.)
1	3800147002	Grass Catcher Assembly	1	800	668.8x316.2x247	1	Y	1
2	3900087001	Pothook Assembly	1	44.7	96.3x32.3x32.3	1	Y	1
3	2826309001	Cover Assembly	1	580.4	515.2x324x141.1	1	Y	1
4	3706590001	Bag Frame	1	428.6	325.5x141.7x265.5	1	Y	1
5	5650453001	Wave Washer	4	0.4	13x20x3	10	Y	1
6	2825958001	Rear Axle Set	1	918	472x118x84	1	Y	1
7	2826165001	Switch Assembly	1	34.7	38x30x10.3	1	Y	10
8	5640010003	Hexagon Flange Bolt	4	12	8x8x12	10	Y	1
9	2825932001	Service Cover Assembly	1	400.6	348.3x204.7x175.1	1	Y	5
10	5670487001	Shaft	1	104.1	Φ7x344.2	1	Y	10
11	5660139002	E Ring	1	0.4	6x6x1	10	Y	1
12	3660559001	Torsion Spring	1	15	15.2x15.2x25	1	Y	10
13	3129298001	Rear Cover	1	352.3	308.8x280.5x111.9	1	Y	10
14	5620157006	Hexagon Socket Screw	41	1.95	4.2x4.2x19	10	Y	1
15	5640217001	Bolt and Washer Set	4	9	M6x30	10	Y	1
16	2825957001	Support ASSY	1	442.8	222.6x158.3x42	1	Y	20
17	3706864001	Mounting Plate	1	44.9	64.4x29.5x17.3	1	Y	5
18	3706719001	Mounting Plate	1	44.9	64.4x29.5x17.3	1	Y	5
19	3706717001	Support Plate	1	596.9	267.6x152x23.5	1	Y	20
20	2825933001	Handle Lever Set	1	144.6	94x49.5x97.3	1	Y	20
21	5670184002	Pin	1	0.5	φ2x15	1	Y	1
22	3660723001	Torsion Spring	1	15.3	35x24.7x15.8	10	Y	10
23	5620065005	Screw	1	1	M3x12	10	Y	1
24	3128692001	Height Adjusting Lever	1	22.5	61.5x22.4x50	1	Y	1
25	3660720001	Tension Spring	1	75	18.5x129.6	10	Y	20
26	3706726001	Spring Seat	1	17.8	35x33x18.5	1	Y	5
27	2826615001	Wheel Assembly	2	697.5	Ø232x56.7	1	Y	2
28	3129545001	Mulch Plug	1	271	274.3x285x222.6	1	Y	1
29	2825931001	Connecting Rod ASSY	1	408.9	633.2x69x20.5	1	Y	20
30	5630013003	Prevailing Torque Hexagon Nut	2	3.5	6x6x5.7	10	Y	1
31	3129547001	Cover	1	405.7	305.4x253.3x130	1	Y	1
32	3129546001	Rear Enclosure	1	163.3	245x165x68	1	Y	1
33	5620480002	Screw	4	3.5	4.2x4.2x25	10	Y	1
34	3422293901	Bearing Support	2	45.1	67x31.1x30.8	1	Y	1
35	2826616001	Fan Assembly	1	118.1	23.5x100x17.8	1	Y	2
36	3706720001	Blade	1	586.6	465x106.5x20	1	N	/
37	5640226001	Flange Bolt	1	26	10x10x25	10	Y	1
38	5650510001	Washer	1	14.5	16.7x30x4	10	Y	1
39	2826614001	Wheel Assembly	2	407	Ø181.6x49.7	1	Y	2
40	2825956001	Front Axle Set	1	555.3	467.5x73.8x74.5	1	Y	20
41	3705216001	Mounting Plate	2	12.5	49.5x17x17	1	Y	1
42	3900085001	Decorative Cover ASSY	1	185.2	230x108.7x85.4	1	Y	20
201	2826916002	Power Unit	1	4126.5	405.1x259.9x308.8	1	Y	10
202	2825947002	Handle ASSY	1	4300	1071.3x481.2x244.5	1	Y	20
201-1	5620157006	Hexagon Socket Screw	21	1.95	4.2x4.2x19	10	Y	1
201-2	5650013001	Plain Washer	2	1.8	Φ10x1	10	Y	1
201-3	2826307001	Top Cover ASSY	1	299.2	251.4x190.8x178	1	Y	15
201-4	2826306001	Battery Box ASSY	1	390.6	237.4x200.6x219.9	1	Y	30
201-5	3129442001	Transparent Guard	1	35.3	139.8x114.8x50.4	1	Y	5
201-6	5680196001	Key	1	23.6	43.5x52x18	1	Y	1
201-7	4860586001	Wiring Harness	1	57	183x40x40	1	Y	35
201-8	2830413001	Push Button Panel PCBA	1	48.4	53.5x46x70.5	1	Y	15
201-9	2830414001	LED Control Electric Assembly	1	32.9	58.4x33.4x12.3	1	Y	35
201-10	2826617001	Button Unit	1	21.2	91.3x73.8x67.5	1	Y	15
201-11	2830216002	4908 Fuse PCBA	1	17	7x7x112	1	Y	15
201-12	2830412001	LED Electric Assembly	1	13	80x140x20	1	Y	20
201-13	2730253001	DC Motor	1	2051.1	Φ156x113	1	Y	20
201-14	3403069001	Bottom Support	1	82	225.5x229.2x170.7	1	Y	20
201-15	5640217002	Bolt and Washer Set	3	9	M6x30	10	Y	1
201-16	3129434001	Mounting Plate	1	177.6	222x162.3x103.3	1	Y	20
201-17	2826492002	Electric Assembly	1	297.5	163.7x91.8x150.2	1	Y	15
201-18	4860616001	Internal Wire ASSY	1	35	4.8x4.8x430	1	Y	10
201-19	3322491001	Button	1	2.5	Ø25x16.7	1	Y	5
201-401	2826308001	Rear Cover ASSY	1	214.1	220.4x248.4x71.7	1	Y	5
201-402	2826310001	Battery Cover ASSY	1	232.4	260x235.7x139.5	1	Y	5
202-1	3660011002	Spring	2	1.04	12.8x12.8x16	10	Y	1
202-2	3129665001	Button	1	12	60x42.4x36.7	1	Y	25
202-3	5620161005	Hexagon Socket Screw	4	9.57	5x5x55	1	Y	2
202-4	3900081001	Switch Box ASSY	1	374.9	421.9x182.1x71.8	1	Y	25
202-5	5630006002	Prevailing Torque Hexagon Nut	4	2	5x5x4.8	10	Y	2
202-6	3126832001	Rubber Block	2	3.94	37x10x9.2	1	Y	15
202-7	3129506001	Clamp Block	2	1	40.2x12.9x12.6	1	Y	15
202-8	2826588001	Spindle ASSY	1	563.3	388x140x36	1	Y	25
202-9	3129714001	Switch Actuator	1	2.1	28x27.3x28	1	Y	5
202-10	3900177001	Decorative Cover ASSY	1	180.7	226.5x119.9x120	1	Y	5
202-11	5620157006	Hexagon Socket Screw	27	1.95	4.2x4.2x19	10	Y	5
202-12	5630013003	Prevailing Torque Hexagon Nut	3	3.5	6x6x5.7	10	Y	3
202-13	5630268001	Nut	1	16.2	12x12x1.25	10	Y	10
202-14	3551952001	Sleeve	1	18	12x12x39	1	Y	10
202-15	5660003003	E Ring	1	0.2	9x9x1	10	Y	10
202-16	3550048003	Pin	1	2.9	5x5x18.5	1	Y	10
202-17	2824250001	Handle Lever Set	1	113	248x20x76	1	Y	5
202-18	3660565001	Compression Spring	1	3.92	9.6x9.6x28	10	Y	5
202-19	3680282001	Magnet Ring	1	54.1	13x26x28	1	Y	3
202-20	5640168001	Square Neck Bolt	3	7.92	6x6x35	10	Y	5
202-21	2826080001	Internal Wire ASSY	1	244.7	Φ7x1400	1	Y	45
202-22	2830411001	Switch Electric Assembly	1	50	108.5x32.5x37.9	1	Y	25
202-23	2825948001	Telescope Tube	1	768.9	936.7x60x52	1	Y	25
202-24	3126763001	Clamp	1	2.92	34x17x11.7	1	Y	5
202-25	3660562001	Compression Spring	1	1.3	10.9x10.9x38	10	Y	10
202-26	5650004001	Plain Washer	1	0.74	4x4x1.5	10	Y	5
202-27	3127905001	Switch Actuator	1	5.5	46.7x29.4x30.9	1	Y	15
202-28	3127908001	Switch Lever	1	16.6	81x32.5x27.7	1	Y	15
202-29	2825955001	Handle Set	1	400	422x123x189	1	Y	10
202-30	3650222001	Control Handle	1	300	336x159.6x5.5	1	Y	10
202-31	3129632001	Switch Actuator	1	22.2	39x24x12.5	1	Y	25
202-32	3660724001	Torsion Spring	1	0.7	9.2x9.2x4	1	Y	25
202-33	2825949001	Telescope Tube	1	768.9	936.7x60x52	1	Y	35
202-401	2826544001	Beam Assembly	1	311.4	432x110.4x78.7	1	Y	25
202-402	2826613001	Handle Lever Set	1	132.7	247.7x76.1x17	1	Y	10