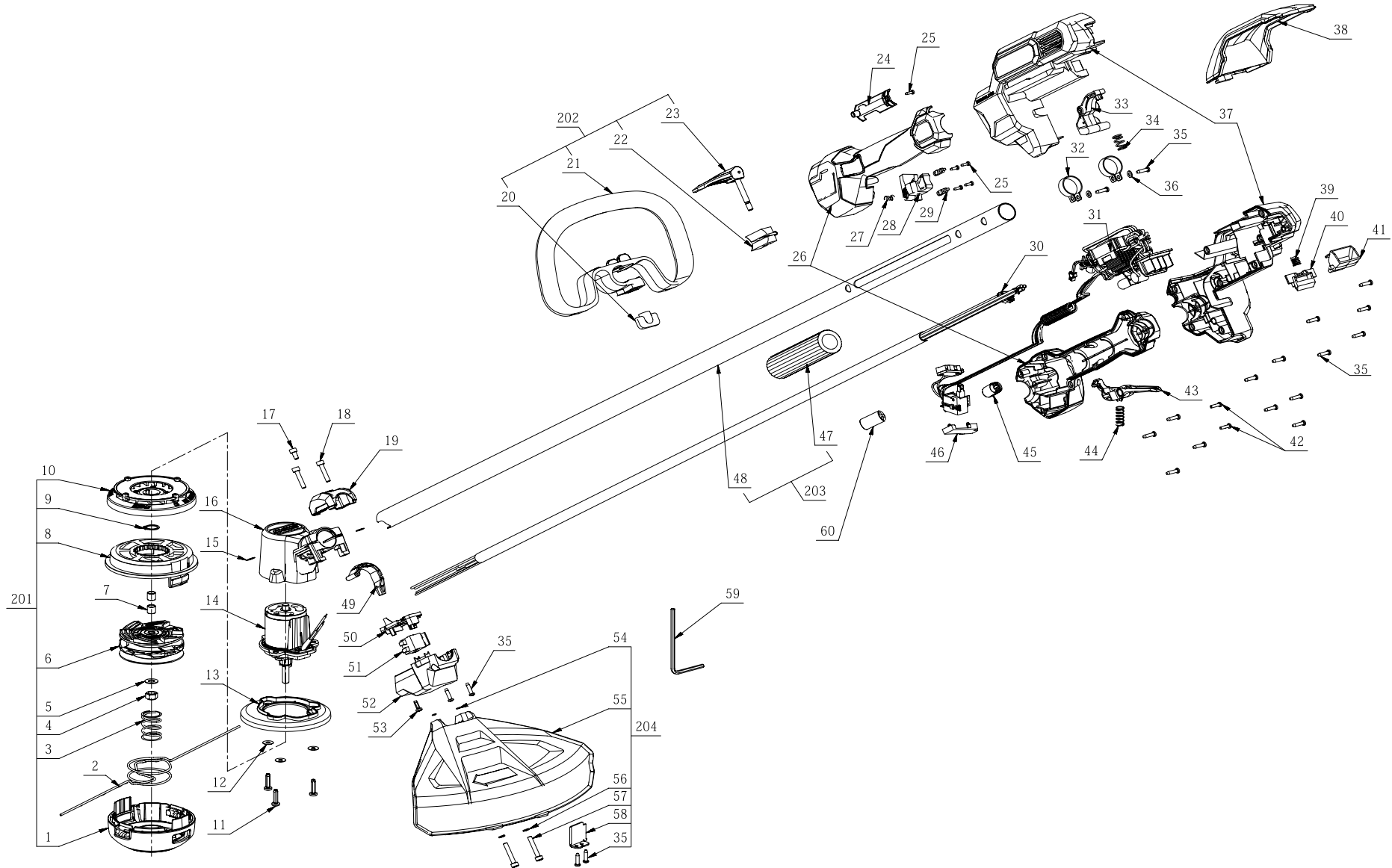




Product Description: String Trimmer
Model Number: ST1510E
Body Number: 0760064003_S
Version: A
Issue Date: 2019/02/28





Repair Parts_DC Bike Handle Line Trimmer_4814(ST1510E)

Index No.	Art. No.	Description	QTY in machine	Weight (g)	Size LxWxH (mm)	MPQ	Repairable or Not?	Standard Repair Time (min.)
1	2825469002	Lower Housing ASSY	1	136.5	Φ110x55	1	Y	3
2	3800122001	Trimmer Line	1	25	Ø2.4x4000	1	N	/
3	3660582001	Compression Spring	1	7.5	Ø25x35	10	Y	1
4	5630271001	Nut	1	4.5	13x15x8.5	10	Y	1
5	3700155002	Washer	1	1.8	φ16x1	10	Y	1
6	2825307002	Spool Assembly	1	104	Ø78x40	1	Y	11
7	3552901001	Position Sleeve	2	2.2	Φ10x10	1	Y	11
8	3129007001	Upper Housing	1	71	Φ113x40	1	Y	11
9	5660018001	Circlips For Shaft	1	0.64	20x18x1.5	10	Y	1
10	2825470002	Support ASSY	1	110	Φ108x26	1	Y	21
11	5610059008	Thread Forming Screw	3	7	Φ8.9x25	10	Y	3
12	5650497001	Plain Washer	3	0.4	Φ13x0.5	10	Y	1
13	3129171001	Shield	1	31	Φ110x16	1	Y	25
14	2730267001	DC Motor	1	520	109x82x71.9	1	Y	35
15	3700731002	Washer	2	0.2	Φ10.5x0.4	10	Y	1
16	3422085001	Motor Housing	1	144.5	135x73x90	1	Y	35
17	5620213003	Hexagon Socket Screw	1	3.4	M5x10	10	Y	1
18	5620216003	Hexagon Socket Screw	2	5	M5x25	10	Y	1
19	3322287001	Top Switch Box Cover	1	12	45x48x26	1	Y	5
20	3400010003	Wing Nut	1	11	3x21x8	10	Y	1
21	3127657001	Front Handle	1	200	231.5x68x144	1	Y	2
22	3127651001	Clamping Block	1	1.5	37x21x20.5	1	Y	1
23	2824142003	Handle Lever Set	1	22	73*63*26	1	Y	2
24	3129271001	Mounting Plate	1	2.5	78x24x23	1	Y	11
25	5610011006	Tapping Screw	5	0.6	φ5.5x12.5	10	Y	1
26	2825617002	L R Handle Set	1	228	292x70x88	1	Y	15
27	3660029003	Spring	1	0.2	Φ8x10	10	Y	1
28	3129274001	Lock-off Trigger	1	9.3	66.5x42x30	1	Y	11
29	3126865001	Clamp Block	2	0.7	23x11x6	1	Y	1
30	4860544002	Internal Wire ASSY	1	194	Φ10x1730	1	Y	31
31	2830371002	Electric Assembly	1	321	-	1	Y	15
32	3705178001	Fixed Ring	2	5	27x9.9x35.8	10	Y	1
33	3128266001	Lever	1	16	52x51x34	1	Y	5
34	3660614001	Compression Spring	1	3	12.2x12.2x19.8	10	Y	1
35	5610294001	Tapping Screw	20	1.3	7x7x18	10	Y	1
36	5650005002	Plain Washer	2	1	Φ8.9x1	10	Y	1
37	2825616002	L R Housing Set	1	490	268.3x150.3x108	1	Y	11
38	3129172001	Cover	1	53	206.4x81.7x55.3	1	Y	5
39	3660013003	Spring1	1	1	9.9x9.9x25	10	Y	1
40	3127497001	Power Pack Button	1	5	42.5x24.5x11.4	1	Y	5
41	3127498001	Power Pack Button	1	9.5	43x36.8x27.5	1	Y	5
42	5610305001	Tapping Screw	2	3	ST3.5x13	10	Y	1
43	3129273001	Switch Trigger	1	12	91x29.5x36	1	Y	11
44	3660717001	Compression Spring	1	0.8	Φ9.8x26	10	Y	1
45	3680267001	Magnetic Block	1	11	Φ16.5x30	1	Y	1
46	3129272001	Switch Support	1	2.8	43x25x12	1	Y	1
47	3705711001	Sheath	1	52	Φ32x120	1	Y	31
48	3706794001	Connecting Tube	1	330	Φ25x1460	1	Y	31
49	3129168001	Switch Lever	1	6.2	45.6x39x33	1	Y	1
50	3129169002	Switch Support	1	4.5	65.4x25.2x26	1	Y	1
52	3129170001	Bottom Switch Box Cover	1	29	106.8x46.4x39.5	1	Y	5
53	5610237001	Tapping Screw	1	1.9	M4x12	10	Y	1
54	5690203001	O Ring	2	0	Φ5.6x1.27	10	Y	1
56	5650015012	Spring Washer	2	2	Φ8x1.2	10	Y	1
57	5620646001	Hexagon Socket Screw	2	6.5	M5x30	10	Y	1
58	3704344001	Blade	1	14	31x29x14	1	Y	1
59	5680164001	Inner Hexagon Spanner	1	16	4(L95xH45)	1	Y	1
60	3680196001	Magnet Ring	1	18	16x16x28	1	Y	1
201	2825468002	Cutting Head Set	1	326	Φ113x77	1	N	/
202	2824020003	Handle ASSY	1	207	231.5x68x150.5	1	Y	3
203	2826087001	Connecting Tube ASSY	1	382	Φ25x1460	1	Y	31
204	2825430002	Guard ASSY	1	245	134x122x304	1	Y	3
205	4870786001	Switch Assembly	1	22.5	65.4x25.2x40	1	Y	11