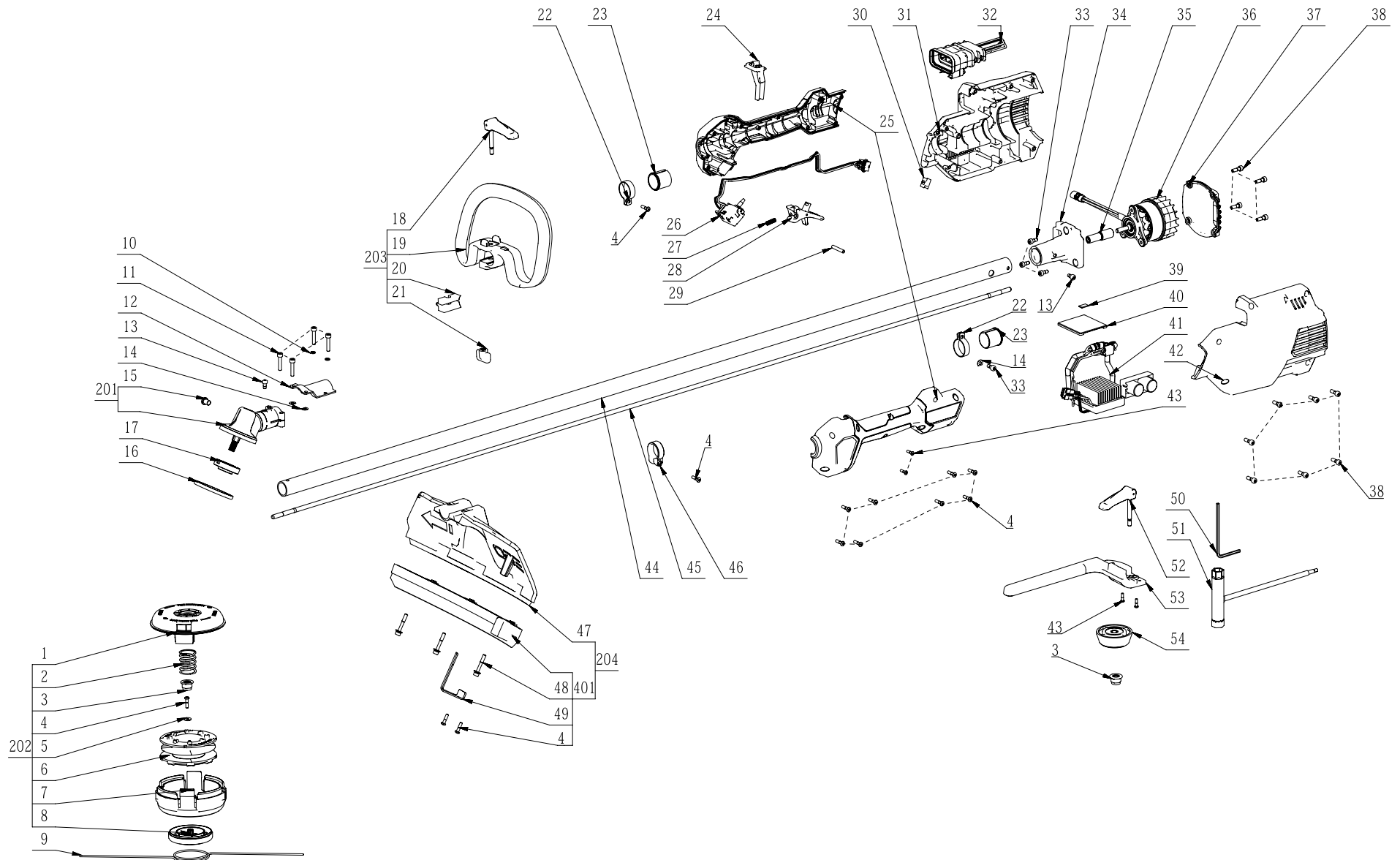




Product Description: String Trimmer
Model Number: STX3800
Body Number: 0760078001_S
Version: A
Issue Date: 2019/01/03





Repair Parts_Loop Handle String Trimmer_4815.1(STX3800)

Index No.	Art. No.	Description	QTY in machine	Weight (g)	Size LxWxH (mm)	MPQ	Repairable or Not?	Standard Repair Time (min.)
1	3402942001	Upper Housing	1	119.3	Φ127x37.3	1	Y	5
2	3660699001	Compression Spring	1	18	28x35	10	Y	2
3	5630292001	Nut	2	16	M10x1-FH	10	Y	3
4	5620479001	Screw	13	4	ST4.2x16	10	Y	3
5	5650278002	Washer	1	0.08	Φ12x1	10	Y	5
6	2825610001	Mounting Wire Holder ASSY	1	144	Φ95x44.5	1	Y	8
7	2825608001	Lower Housing ASSY	1	116.5	Φ118x50	1	Y	3
8	3129386001	Support Head	1	34	Φ74.5x19.2	1	Y	4
9	3800150001	Trimmer Line	1	34	Φ2.4	1	N	8
10	5650015012	Spring Washer	2	2	Φ7.9x1.2	10	Y	1
11	5620216006	Hexagon Socket Screw	4	5	M5x25	10	Y	1
12	3705417001	Fixing Board	1	58.5	66x48x19	1	Y	2
13	5620213003	Hexagon Socket Screw	2	3.4	M5x10	10	Y	1
14	5650598001	Washer	3	0.2	5.3x11x0.4	10	Y	1
15	5620606001	Hexagon Socket Screw	1	5	M8x10	10	Y	1
16	3706103001	Shield	1	39	Φ70x5.5	1	Y	8
17	352509001	Inner Flange	1	66.3	Φ44x13.5	1	Y	8
18	2824142003	Handle Lever Set	1	22	73*63*26	1	Y	3
19	3127657001	Front Handle	1	200	231.5x68x144	1	Y	4
20	3127651001	Clamping Block	1	1.5	37x21x20.5	1	Y	2
21	3400010003	Wing Nut	1	11	32x21x8	10	Y	1
22	3706559001	Fixed Ring	2	9	Φ28.6x10	1	Y	25
23	3129457001	Holding Ring	2	5	Φ30.5x28.5	1	Y	25
24	3130093001	Push Button	1	8.5	40x24.5x61	1	Y	9
25	3900163001	Handle Set	1	253	320x95x68	1	Y	8
26	4870685001	Switch Assembly	1	48	34.5x42.5x440	1	Y	25
27	3660088003	Knob-reset Spring	1	0.2	Φ6x18	10	Y	6
28	2826345001	Switch Lever ASSY	1	38	77.5x39x17	1	Y	6
29	5670028002	Pin	1	4.6	5x30	1	Y	5
30	5650604001	Rubber Gasket	1	0.6	11x12x9	1	Y	8
31	3422157001	Right Housing	1	617	260.2x164x51.5	1	Y	31
32	4860525002	Internal Wire ASSY	1	110	61.5x31.4x130	1	Y	11
33	5620018005	Hexagon Socket Screw	4	3.7	M5x12	10	Y	22
34	2825783001	Base Assembly	1	171	78x72x66.5	1	Y	32
35	3552896001	Shaft Sleeve	1	45	Φ15x50.7	1	Y	35
36	2730271001	DC Motor	1	851	35x60	1	Y	41
37	3422158001	Rear Cover	1	73	95x94.3x9.5	1	Y	2
38	5620019004	Hexagon Socket Screw	11	4.32	M5x16	10	Y	1
39	3704820001	Sponge Pad	1	0.5	14X8X1.5	1	Y	15
40	3129444001	Plate	1	6	61.5x58.5x4	1	Y	15
41	2830332002	Electric Assembly	1	290	66x62x36	1	Y	25
42	3422156001	Left Housing	1	606	260.2x128.5x50	1	Y	8
43	5610305001	Tapping Screw	4	3	ST3.5x13	10	Y	1
44	2826455001	Tube Assembly	1	421	Φ25.4x1577	1	Y	41
45	2825589001	Shaft	1	479	Φ7x1606.8	1	Y	5
46	3128598001	Retaining Ring	1	6	31x11.5x40	1	Y	1
47	2825605001	Guard ASSY	1	230	352x103x102	1	Y	5
48	5620548001	Screw with Washer	3	3	Φ9x35	10	Y	2
49	3706542001	Blade	1	44	67x26x41.5	1	Y	1
50	5680164001	Inner Hexagon Spanner	1	15.6	4(L95xH45)	1	Y	1
51	5680217001	Wrench	1	160	21x100x225	1	Y	1
52	2825135002	Handle Lever Set	1	30	71.5x20x68.2	1	Y	2
53	3128672001	Front Handle Cover	1	65	244x34.6x91	1	Y	3
54	3421864001	Outer Flange	1	80	Φ60x22	1	Y	1
201	2825611001	Gear Case ASSY	1	286.5	109x96x33	1	Y	12
202	2825606001	Cutting Head Set	1	413.8	Φ127x64	1	N	11
203	2824020003	Handle ASSY	1	207	231.5x68x150.5	1	Y	2
204	2825603001	Guard ASSY	1	373.5	352x140x152	1	Y	2
401	2825604001	Lower Guard ASSY	1	143.5	352x82x71	1	Y	5